

NF Series (Non-touch Flat)

PATENT & PATENT PENDING

Main advantages

- Non-contact handling item
- Integrated Multi-suction system
- Low air consumption
- Large vacuum flow and powerful suction force
- Safe gripping with mark free
- No moving parts
- Excellent gripping with metal sheets with holes.

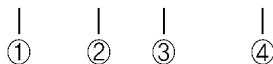


Application

Circuit boards, Solar cell, CDs and DVDs, Uneven sheet
Wood, Packaging, Plastic, Thin products, Film, Paper,
Mirrors, Paper-board..

Order No.

NF 40 06 A - 18F



① Vacuum pad Ø

- NF 20 – Ø20
- **NF 40** – Ø40
- NF 60 – Ø60

② Vacuum flows

- **06** – standard
- 12 – an extra vacuum flow

③ Material

- **A** – Aluminum
- P – PEEK**

**PEEK
 • Excellent electrical insulating properties
 • High abrasion Resistance
 • Good Lubricity
 • Consecutively Operating Temp. : 250°C
 • Food Quality

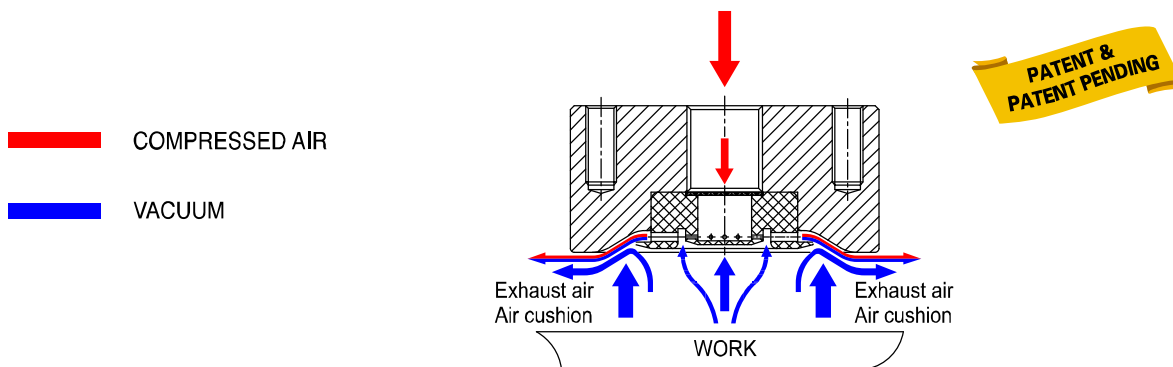
④ Thread size

- M5F – M5XPO,8 female (NF20,..)
- **18F** – G1/8" female (NF40,.., NF60,..)

Technical Data

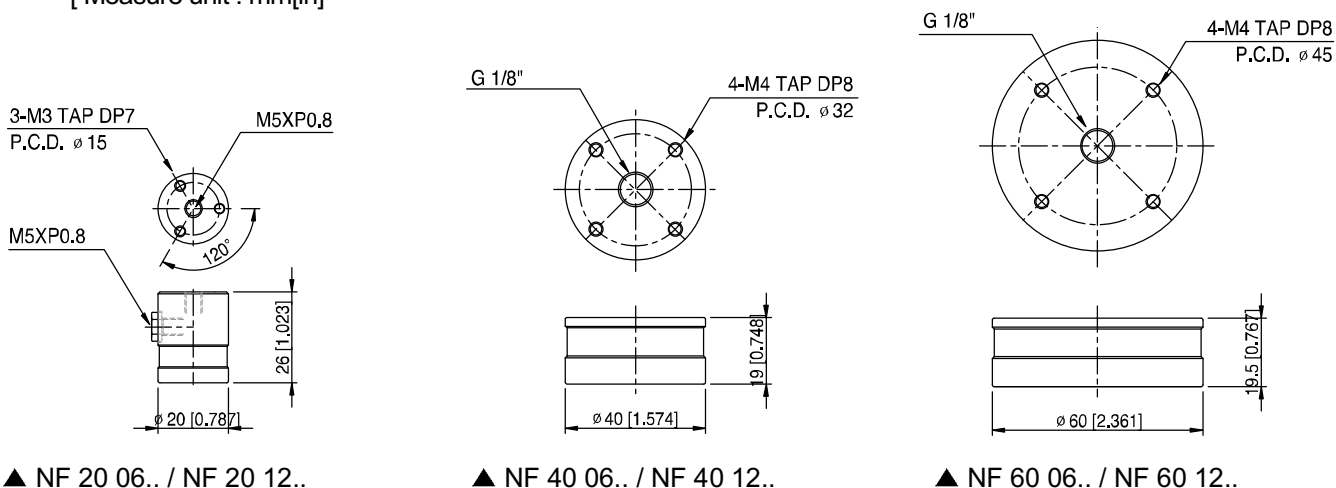
Model	Operating pressure (bar)	Air consumption (NI/m)			Holding force, (kg) at different pressure			Weight (g)
		4 bar	5 bar	6 bar	4 bar	5 bar	6 bar	
NF 20 06	4 ~ 6	75	82	90	0.2	0.22	0.22	Al : 21
NF 20 12		138	166	198	0.2	0.22	0.22	Peek : 11,5
NF 40 06	4 ~ 6	53	68	82	0.29	0.39	0.49	Al : 55
NF 40 12		120	128	135	0.49	0.59	0.68	Peek : 30
NF 60 06	4 ~ 6	105	123	126	0.59	0.79	0.89	Al : 130
NF 60 12		160	190	223	0.99	1.25	1.49	Peek : 70

The principle of VMECA NF PAD



Dimensional information

[Measure unit : mm[in]]



Applications

